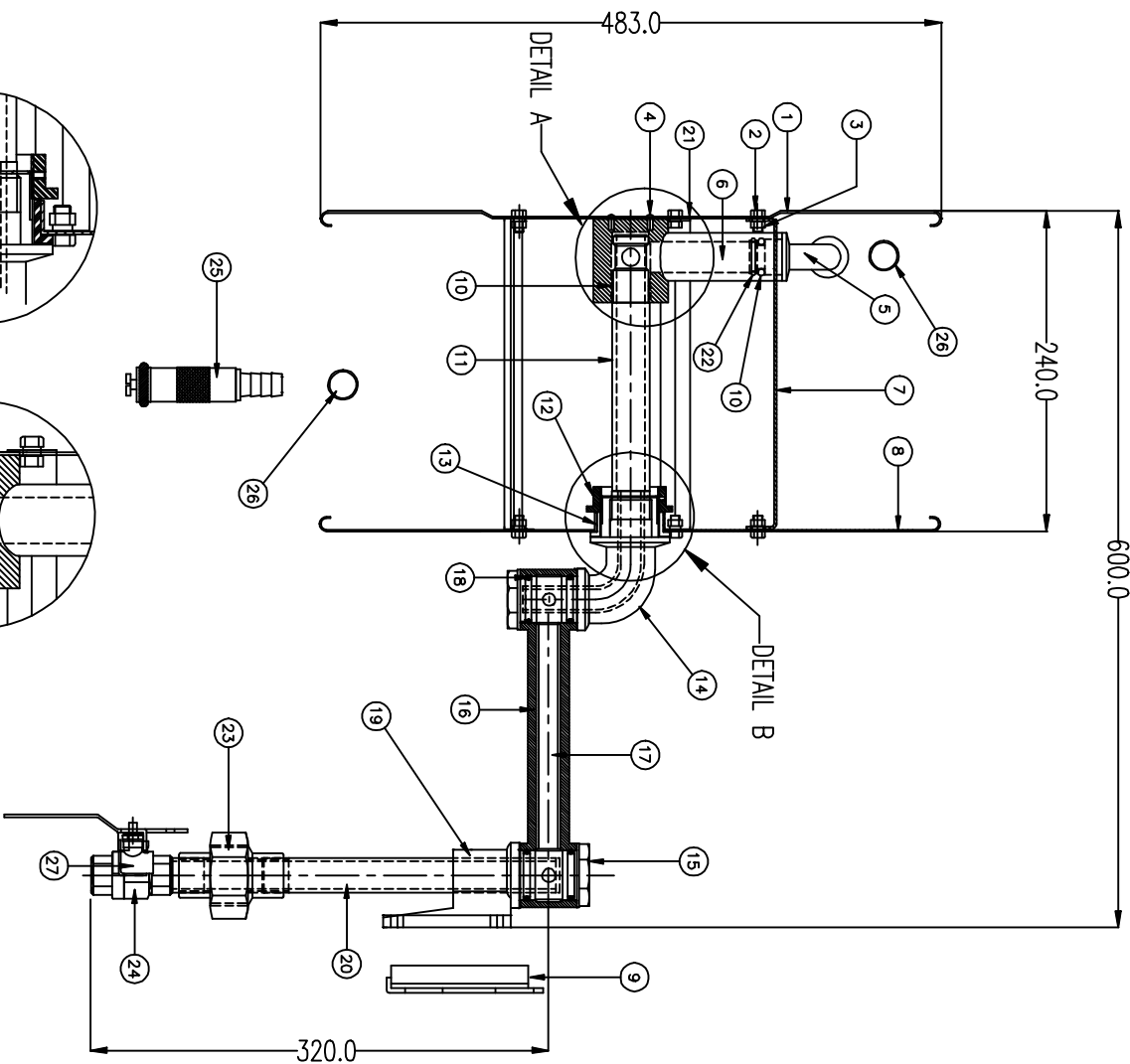


TECHNICAL SPECIFICATION

- WORKING PRESSURE 1500kpa (155psi)
- TEST PRESSURE 2000kpa (210psi)



* NOT SHOWN IN DRAWING

* HRP044-CS-020-CH	HOSE SPRING WD1.4 X ID27 X L127 CHROME	C-STEEL	1
* HRP080-PP-500	CARTON BOX	CORRUGATED PAPER	1
* BMM213-MS-ZP	WASHER FLAT M8	GAU. MILD STEEL	5
* HRP023-MS	SEALOCK PIN 5/32" X 1 1/2"	MILD STEEL	2
* HRS041-36-020-BK	HOSE HR NCT CORR. 20MM X 36M BLACK	HOSE RESIN - NCT 8046 (HR-NCT-8046-BK) NBRSE / OUTSIDE 2000 PSI (145-148-2000)	1
* HRP045-PS	WASHER NYLON 0D56mm X ID43mm	NYLON 6	1
* HRP079-MS-ZP	NOZZLE LOCK BRACKET	GAU. MILD STEEL	1
* HRP081-LA-020	HOSE HR 3/4" - HYDRAULIC	ALUMINIUM	1
* HRS039-GM-020-NA	NOZZLE M&S 20MM	BRASS	1
* HRS109-GM-025-NA	BALL VALVE BRASS 25mm-VALE x FEMALE	BRASS	1
* FTI102-G-025	UNION COUPLING 1"	G.I.	1
* ORS018-RB-BK	ORING O18	NITRILE 70	1
* HRP061-PS-020-WH	LABEL WHITE	AES	1
* HRP222-BB-025-BK	INLET PIPE 1" X 225MM	BLACK 8 PIPE ZINC PLATED	1
* HRP005-BB-025-BK	BRACKET 1"	ALUM. ALLOY ADC12	1
* ORS325-RB-BK	ORING 325	NITRILE 70	4
* HRP076-BC-012-BK	HORIZONTAL PIPE 1/2" X 199MM	BLACK CAPRE ZINC PLATED	1
* HRP008-BC-012-BK	HORIZONTAL BAR	ALUM. ALLOY ADC12	1
* HRP010-PS-RD	RED CAP	AES GP22	2
* HRP007-BC-009-BK	ANGLE PIPE 9"	ALUM. ALLOY ADC12	1
* HRP016-PS-BK	BUSH BLACK	PP COPOLYMER	1
* HRP015-MS-SW	COLLAR - SWING	MILD STEEL	1
* HRP021-BC-012-BK	ANGLE PIPE 1/2" X 360MM	BLACK CAPRE ZINC PLATED	1
* ORS211-RB-BK	ORING 211	NITRILE 70	3
* HRP057-MS	WALL BRACKET	MILD STEEL	1
* HRP011-MS-475-RD	BRACKET PLATE 19"	CROLL STEEL	1
* HRP013-MS-225	SPACER 9" X 232.0MM	GAU. MILD STEEL	5
* HRP024-PS-12	T" BUSH TYPE II	NYLON 6	1
* HRP006-PS-020-12	ELBOW BUSH 3/4" TYPE II	NYLON 6	1
* BMM055-MS-009-GV	BLIND RIVET 3/16" X 1/2"	GAU. MILD STEEL	4
* BMM049-MS	NUT 5/16" X 5/8"	GAU. MILD STEEL	10
* BMM048-MS	BOLT 5/16" X 5/8"	GAU. MILD STEEL	10
* HRP012-MS-475-RD	BUSH PLATE 19"	CROLL STEEL	1

UNLESS OTHERWISE STATED DIMENSIONS IN MILLIMETRES

TOLERANCE

LINEAR : ±2.5

ANGULAR :

REV. NO. 06



MATERIAL :

FINISH : RED

ITEM PART NO.	DESCRIPTION	QTY	MATERIAL
1	HRP012-MS-475-RD	1	CROLL STEEL

STEEL RECON IND. SDN. BHD.

PRODUCT : SWING HOSE REEL

TITLE : AS SWING ASSEMBLY 3/4" X 36M

SRI

DETAIL B

DETAIL A