

Certified by SAI Global to AS1221 and with years of development behind it, BFI's 19mm x 36m Swing Arm Fire Hose Reel is widely regarded as one of the best and most reliable Hose Reels available on the Australian Market. Swing Arm Hose Reels are mounted so that they swing out and allow the fire hose to unspool in the direction the user is pulling it. Making for a smoother reel operation.

## Features

- Australian Standard Certification by SAI Global (5 Ticks)
- High quality construction
- Option of finishes dependent on application
- Easy to install and maintain
- After sales service and ongoing technical support
- Guide Arm
- Ball valve with nozzle locking device
- 180° Swinging Arm

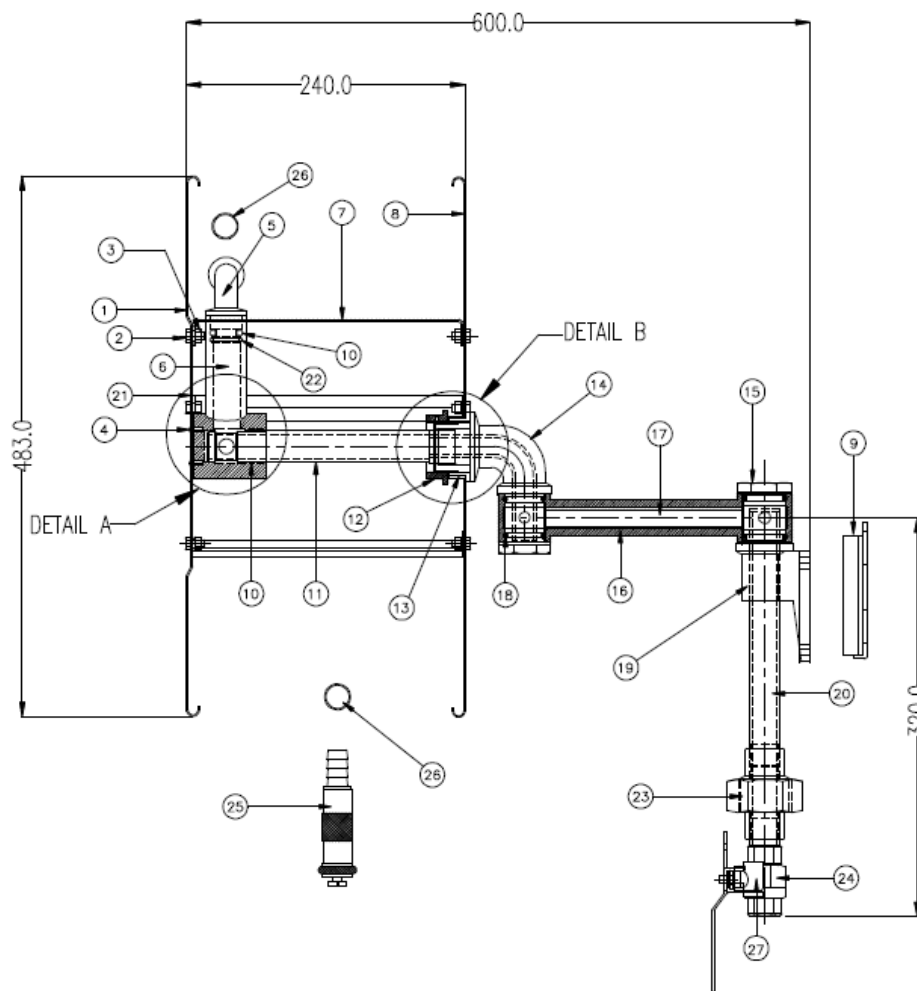


## Specifications

BFI Swing Arm Hose Reel 19mm x 36m	HRSO37A
<b>Product</b>	
Code	HRSO37A
STD Hose Length & Diameter	19mm x 36m
Ball Valve (25mm) with Nozzle Interlock	Brass
Ball Valve Handle	M/S Z/P
Wall Bracket / Hose Guide	Mild Steel
Drum Diameter	483mm
Installed Hose reel Depth Off Mount Surface	Approx 310mm
<b>Performance</b>	
Test Pressure	2000kpa
Working Pressure	1500kpa
Minimum Discharge Rate	0.45L/S @ 220kpa

\*Installation and commissioning in accordance to AS2441 - 2005

For more information call us on **1800 530 401** or visit [www.bulbeckfire.com.au](http://www.bulbeckfire.com.au)



	Part No	Description	Material	Qty
*	HRPO44-CS-020-CH	Hose Spring WD1.4 X ID27 X L12" Chrome	C-Steel	1
*	HRPO80-PP-500	Carton Box	Corrugated Paper	1
*	BNW213-MS-ZP	Washer Flat M8	Galv. Mild Steel	5
*	HRPO23-MS	Selflock Pin 5/32" X 1 1/2"	Mild Steel	2
*	HRSO41-36-020-BK	Hose HR NCT Corr. 20mm x 36m Black	Hose resin-NCT 8046 (RM-NCT-8046-BK) Inside/Outside 2000D Fliment Yarn	1
*	HRPO45-PS	Washer Nylon OD58mm x ID43mm	Nylon 6	1
27	HRPO79-MS-ZP	Nozzle Lock Bracket	Galv. Mild Steel	1
26	HRPO81-LA-020	Hose HR 3/4" - Hyrdraulic	Aluminium	1
25	HRSO39-GM-020-NA	Nozzle J&S 20mm	Brass	1
24	HRS109-GM-025-NA	Ball Valve Brass 25mm-Male x Female	Brass	1
23	FIT102-GI-025	Union Coupling 1"	G.I	1
22	ORSO18-RB-BK	O Ring O18	Nitrile 70	1
21	HRPO61-PS-020-WH	Label White	ABS	1
20	HRP222-BB-025-BK	Inlet Pipe 1" x 225mm	Black B Pipe Zink Plated	1
19	HRPO05-BB-025-BK	Bracket 1"	Allum. Alloy ADC12	1
18	ORS325-RB-BK	O Ring 325	Nitrile 70	4
17	HRPO76-BC-012-BK	Horizontal Pipe 1/2" x 199mm	Black C.Pipe Zink Plated	1
16	HRPO08-BC-012-BK	Horizontal Bar	Allum Alloy ADC12	1
15	HRPO10-PS-RD	Red Cap	ABS GP22	2
14	HRPO07-BC-009-BK	Angle Pipe 9"	Allum Alloy ADC12	1
13	HRPO16-PS-BK	Bush Black	PP Copolymer	1
12	HRPO15-MS-SW	Collar - Swing	Mild Steel	1
11	HRPO21-BC-012-BK	Angle Pipe 1/2" x 360mm	Black C. Pipe Zinc Plated	1
10	ORS211-RB-BK	O Ring 211	Nitrile 70	3
9	HRPO57-MS	Wall Bracket	Mild Steel	1

**Parts List Continued**

	<b>Part No</b>	<b>Description</b>	<b>Material</b>	<b>Qty</b>
8	HRP011-MS-475-RD	Bracket Plate 19"	C.Roll Steel	1
7	HRP013-MS-225	Spacer 9" x 232.0mm	Galv Mild Steel	1
6	HRP024-PS-T2	T Bush Type ii	Nylon 6	1
5	HRP006-PS-020-T2	Elbox Bush 3/4" Type II	Nylon 6	1
4	BNW055-MS-009-GV	Blind Rivet 3/16" x 1/2"	Galv Mild Steel	4
3	BNW049-MS	Nut 5/16" x 5/8"	Galv Mild Steel	10
2	BNW048-MS	Bolt 5/16" x 5/8"	Galv Mild Steel	10
1	HRP012-MS-475-RD	Bush Placte 19"	C Roll Steel	1