

BFI Australian Standard Fire Hose Reels

# Fixed Reel Fire Technical Information



Certified by SAI Global to AS1221 and with years of development behind it, BFI's 19mm x 36m Fire Hose Reel is widely regarded as one of the best and most reliable Hose Reels available on the Australian Market.

### Features

- Australian Standard Certification by SAI Global (5 Ticks)
- High quality construction
- Option of finishes dependent on application
- Easy to install and maintain
- After sales service and ongoing technical support
- BFI Fixed Hose Reel comes with all required parts



**Australian Standard**

AS 1221  
LIC SMK1355

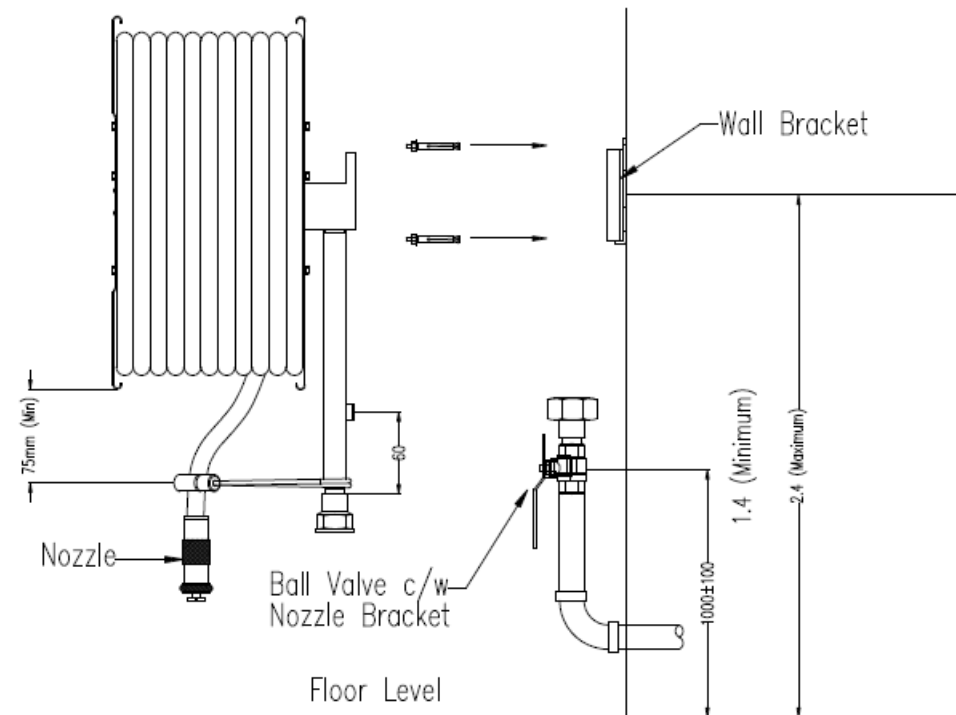
### Specifications

<b>BFI Fixed Hose Reel 19mm x 36m</b>	<b>HRSO35A</b>
<b>Product</b>	
Code	HRSO35A
STD Hose Length & Diameter	19mm x 36m
Ball Valve (25mm) with Nozzle Interlock	Brass
Ball Valve Handle	M/S Z/P
Wall Bracket / Hose Guide	Mild Steel
Drum Diameter	483mm
Installed Hose reel Depth Off Mount Surface	Approx 310mm
<b>Performance</b>	
Test Pressure	2000kpa
Working Pressure	1500kpa
Minimum Discharge Rate	0.45L/S @ 220kpa

\*Installation and commissioning in accordance to AS2441 - 2005

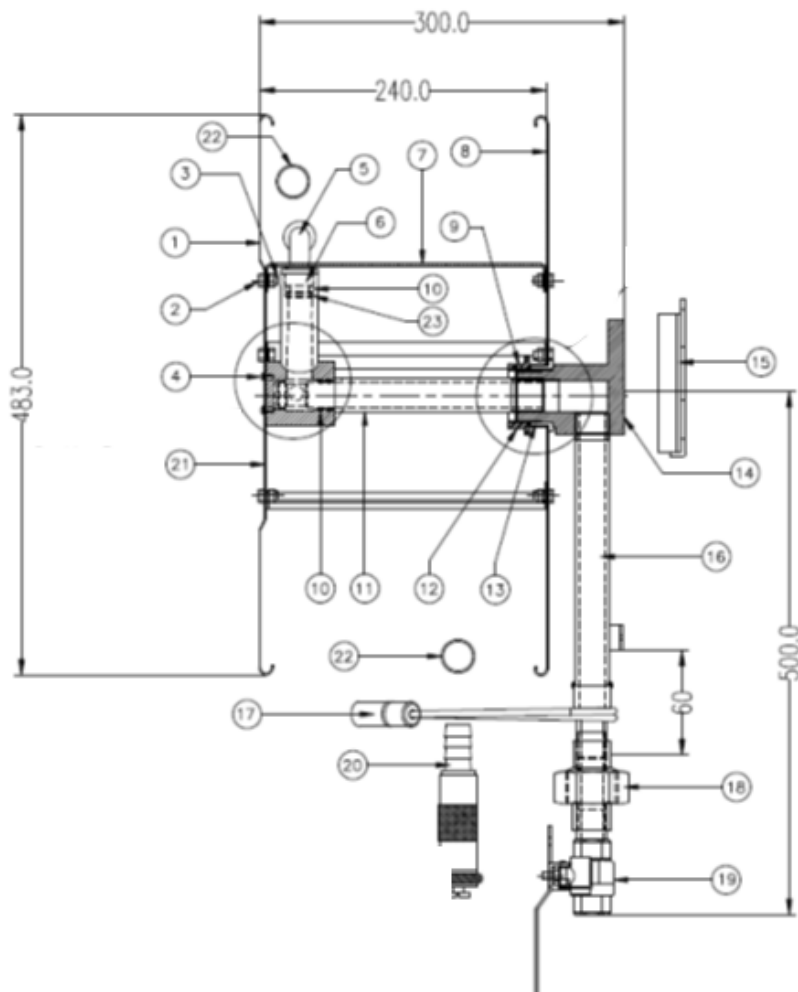
For more information call us on **1800 530 401** or visit [www.bulbeckfire.com.au](http://www.bulbeckfire.com.au)

FIXED HOSE REEL INSTALLATION INSTRUCTION  
IN ACCORDANCE WITH AS 2441



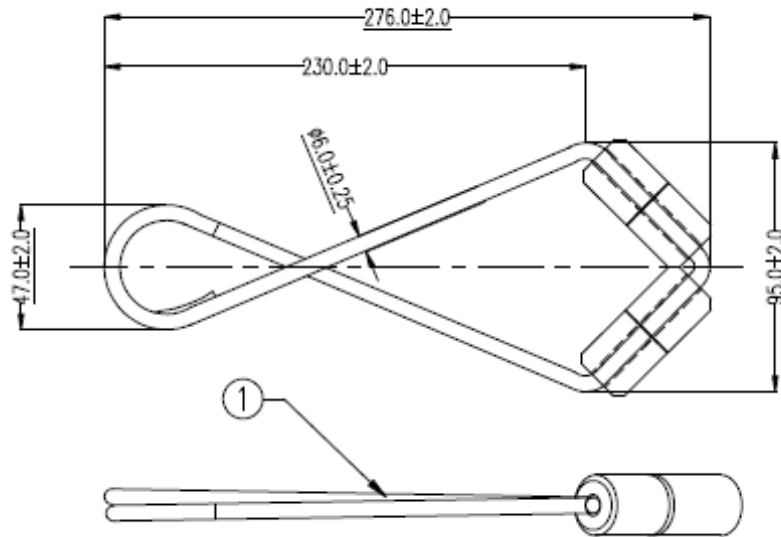
<b>Step 1</b>	<p><b>To install hose reels on concrete or solid brick material</b> use four only HRB08-75-BZP Rawl Excacibur 8mm x 75mm Dynabolt.</p> <p><b>To install hose reels on timber construction</b> use four only M10 x 75mm Coach bolts. Centre line of bracket should be between 1.4m - 2.4m above floor level.</p>
<b>Step 2</b>	<p>Fit hose reel into wall bracket. Fit hose roller guide to 25mm inlet pipe, and fit union half to inlet pipe.</p> <p><b>a)</b> Where the hose guide is fitted to the hose reel supply pipe it shall be located in a manner that will prohibit the guide moving vertically.</p> <p><b>b)</b> Where a hose reel is fitted in a cabinet or recess, the hose guide arm shall protrude beyond the recess when the hose is run out.</p>
<b>Step 3</b>	Fit valve/union assembly to incoming water supply line and assemble union with rubber gasket.
<b>Step 4</b>	The hose and nozzle must feed through the roller guide and be secured to the nozzle lock bracket at the stop valve.
<b>Step 5</b>	Carry out installation pressure test and commissioning in accordance with AS 2441 - 2005.

\*This hose reel complies with the appropriate discharge requirement; Nominal hose diameter 19mm. Minimum discharge rate 0.45L/s at  $220 \pm 10$  kpa, and must be maintained and serviced in accordance with AS1851.2. This hose reel is manufactured and approved to Australian Standard 1221 ..



Item	Description	Material	Qty
	<b>Hose Reel 19mm x 36m Blk</b>	<b>Hose resin-NCT 8046</b>	<b>1</b>
1	Bush Plate	C.Roll Steel	1
2	Bolt	Galv. Mild Steel	10
3	Nut Hex	Galv. Mild Steel	10
4	Blind Rivet	Galv. Mild Steel	4
5	Elbow Bush	Nylon 6	1
6	'T' Bush	Nylon 6	1
7	Spacer	Galv. Mild Steel	5
8	Bracket Plate	C. Roll Steel	1
9	Set Screw	Mild Steel	1
10	Oring	Nitrile 70	3
11	Angle Pipe	Black C.Pipe Zinc Plated	1
12	Collar	Mild Steel	1
13	Bush Black	PP Copolymer	1
14	Elbow Bracket	Allum. Alloy ADC12	1
15	Wall bracket	Mild Steel	1
16	Inlet pipe	Galv. B. Pipe	1
17	Hose Guide	Mild Steel	1
18	Union Coupling	Gal. Mal. EPDM Seat	1
19	Ball Valve	Brass	1
20	Nozzle	Brass	1
21	Hose Reel Label	ABS	1
22	Hydraulic Clipp	Aluminium	2
23	Oring	Nitrile 70	1

**Roller Guide**



**Mounting Plate**

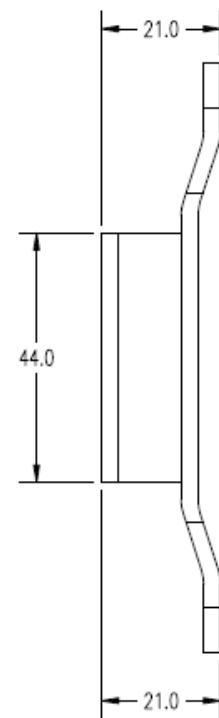
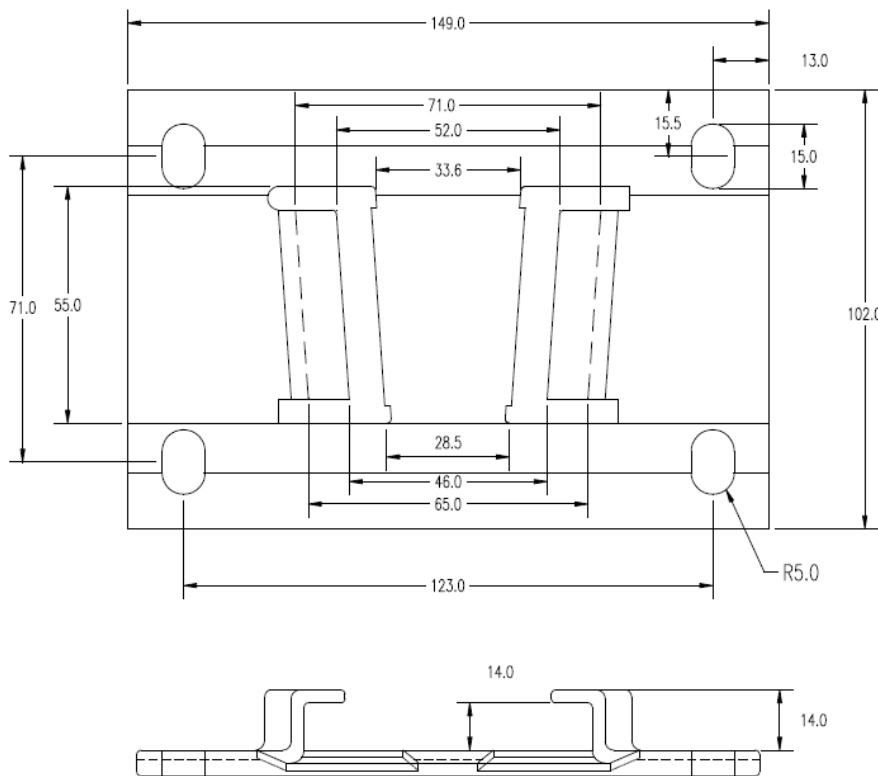
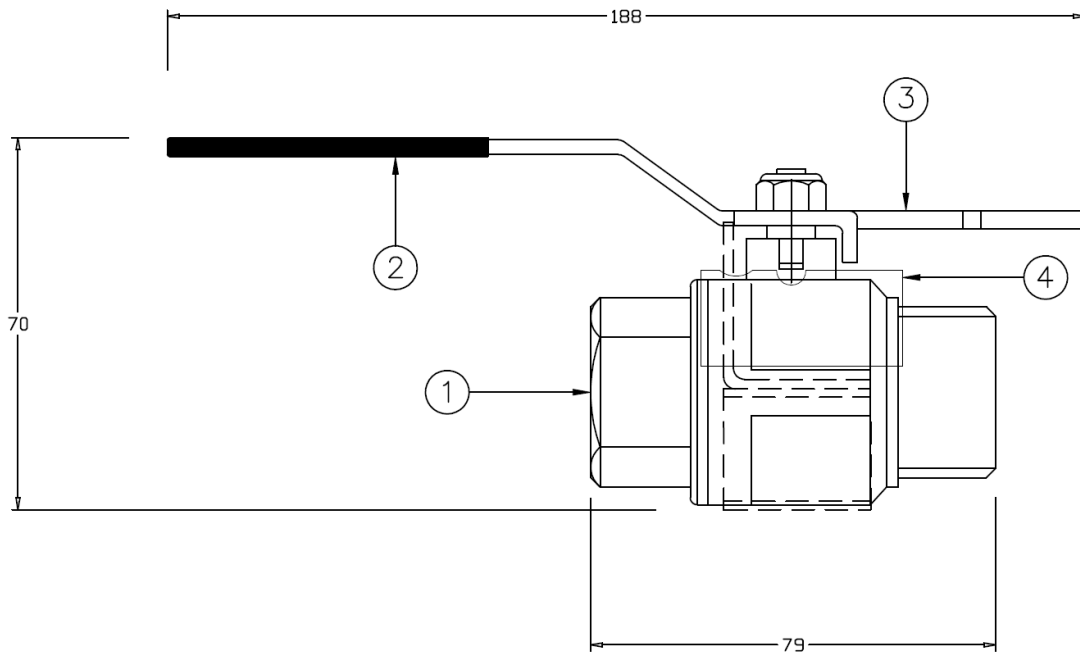


Plate Thickness 3.0MM

**Ball Valve**

Technical Specification	
<b>Description</b>	Ball Valve Brass 25MM Standard - male + Female
<b>Max Working Pressure</b>	15 BAR



Item	Description	Material	Qty
	<b>Ball Valve 25mm Standard</b>	<b>Brass</b>	
1	Body - 1" BV	LG 2	1
2	Sleeve Handle - 1" BV	S.Steel	1
3	Handle ON/OFF - 1" BV	S.Steel	1
4	Nozzle Lock Bracket - 1" BV	S.Steel	1

## Manufacturers Warranty - Fire Hose Reel

October 2017

All BFI Fire Hose Reels - when installed and commissioned to AS2441 - 2005 have a 12 month warranty period from the time of installation against any fault deemed to be from the manufacturer.

We recommend BFI Fire Hose Reels be maintained in accordance with AS1851 - 2005.

BFI Fire Hose reels should only be used for fire-fighting. If used for any other purpose other than fire-fighting the warranty will be void.



### **BFI Fire Hose Reels Manufactured to AS1221 LIC1355**

Our Australian Standard Hose Reels are fully servicable - email our service team [info@bulbeckfire.com.au](mailto:info@bulbeckfire.com.au) for all your after sales service needs,



# STANDARDSMARK LICENCE

SAI Global hereby grants:

## Steel Recon Industries SDN BHD

No 8 Jalan Subang 7, Taman Perindustrian Subang, Subang Jaya, Malaysia

### StandardsMark Licence

Manufactured to:

AS/NZS 1221:1997 - Fire hose reels

"the StandardsMark Licensee" the right to use the STANDARDSMARK as shown below only in respect of the goods described and detailed in the Schedule which are produced by the Licensee or on behalf of the Licensee" and which comply with the appropriate Standard referred to above as from time to time amended. The Licence is granted subject to the rules governing the use of the STANDARDSMARK and the Terms and Conditions for certification and licence. The Licensee covenants to comply with all the Rules and Terms and Conditions.

Certificate No:SMK1355

Issued: 16 August 2013

Originally Certified: 22 November 1993

Expires: 21 November 2018

Current Certification: 16 August 2013

Paul Butcher  
Global Head – Assurance Services

Samer Chaouk  
Head of Policy, Risk and Certification



[WWW.JAS-ANZ.ORG/REGISTER](http://WWW.JAS-ANZ.ORG/REGISTER)

\* For details of manufacture, refer to the licensee

The STANDARDSMARK is a registered certification trademark of SAI Global Limited (A.C.N. 050 644 642) and is issued under licence by SAI Global Certification Services Pty Limited (ACN 108 716 669) ("SAI Global") 286 Sussex Street, Sydney NSW 2000, GPO Box 5420 Sydney NSW 2001. This certificate remains the property of SAI Global and must be returned to SAI Global upon its request. Refer to [www.saiglobal.com](http://www.saiglobal.com), for the list of product models.



**SAI GLOBAL**  
INFORM. INSPIRE. IMPROVE.





# Leaders in fire prevention and protection

One point of contact. Everything you need.

[www.bulbeckfire.com.au](http://www.bulbeckfire.com.au)

## OUR LOCATIONS

### SYDNEY

P: 02 89996010

### MELBOURNE

P: 03 9999 5715

### BRISBANE

P: 07 3140 8790

### PERTH

P: 08 6500 0613

### ADELAIDE

P: 08 7007 0537

### DARWIN

P: 08 799907830

### HEAD OFFICE - NEWCASTLE

4 Channel Road Mayfield West, NSW 2304 - PO Box 367 HRMC NSW 2310

P: 02 4927 6632 F: 02 4927 6641 E: [info@bulbeckfire.com.au](mailto:info@bulbeckfire.com.au)