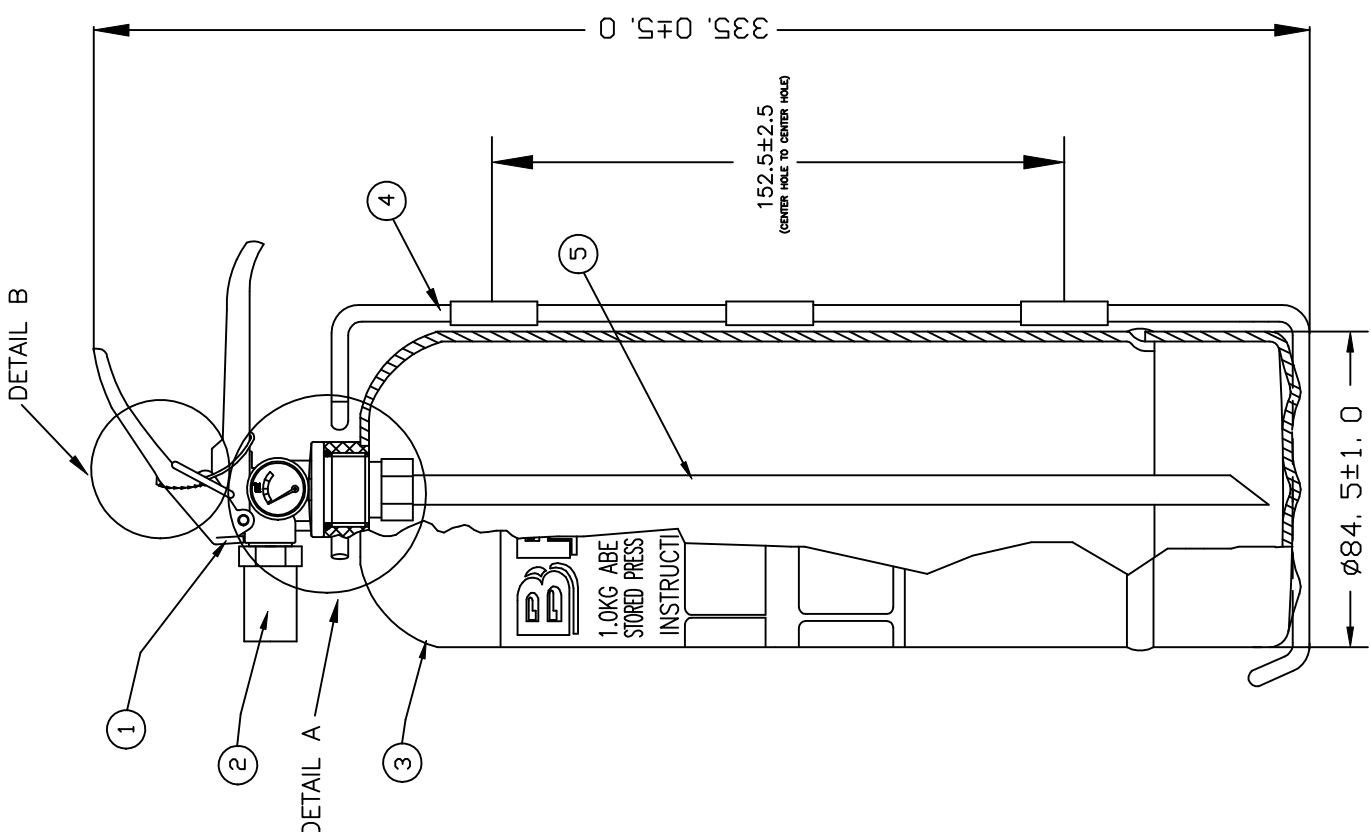
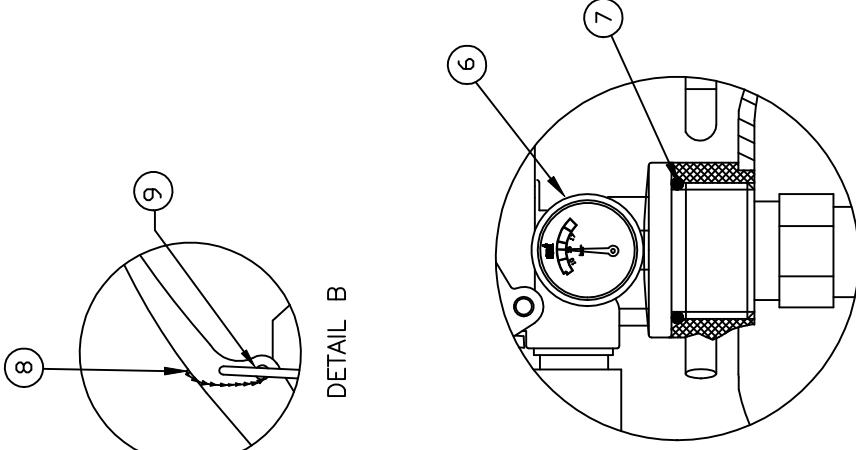


Technical Specification

PART NO	FEX133-MS-010-BF
CAPACITY	1.0kg #5%
OVERALL WEIGHT	1.8kg #5%
MATERIAL THICKNESS(CYL)	TOP CYLINDER 1.5MM BOTTOM CYLINDER 1.8MM
VOLUME	1.2L
MIN TENSILE STRENGTH	280N/mm ² (280mpa)
TEST PRESSURE	25bar(362.5psi) min 30s
WORKING PRESSURE	10bar(145psi)
MIN BURST PRESSURE	70bar(1015psi)
DISCHARGE TIME	Min 12.1 sec
FIRE RATING	1A,20B
TEMPERATURE RANGE	-20°C To 60°C
POWDER TYPE	SRI HP ABE
FINISHING	EPOXY RED POWDER COATING



* NOT SHOWN IN DRAWING

* CTN007-PP-BF1-12	BOX 12X1 380X350X340 C/NEST	150/M/M BAF	1
* FEC079-PS-010-GN	STICKER ABE CLASS 1.0KG	PLASTIC - GREEN	1
* FEX144-80-ABC-BL	FIRE EXT POWDER ABC 80 SRI HP ABE	-	-
9 FEC116-SS	SAFETY PIN	STAINLESS STEEL	1
8 FEC117-PS	CABLE TIE 5' X 1/16'	NYLON	1
7 DRS212-RB-BK	M24-DRING 212(I.D 21.82 x 3.53)	NITRILE 70	1
6 FEC166-010	PRESSURE GAUGE 10 BAR	-	1
5 FEC051-PS-010	DIP TUBE HIPS 245.0mm 1.0KG MS/EN	HIPS	1
4 FEX002-MS-TP3-RD	VEHICLE BRACKET 1.0KG	MILD STEEL - RED	1
3 FEC004-MS-010-RD	CYLINDER 1.0KG	COLD ROLLED STEEL 1.0MM	1
2 FEC028-PS-010-FM	DISCHARGE NOZZLE Ø3.2 1.0KG FIREMAN	NYLON 6	1
1 FEC055-GM-M24	VALVE M24x1.5MM RED HANDLE	BRASS	1

ITEM	PART NO	DESCRIPTION	MATERIAL	QTY
UNLESS OTHERWISE STATED DIMENSIONS IN MILLIMETERS				
TOLERANCES:				
LINEAR: ±2.0				
ANGULAR:				
REV NO	04	FINISH		
DRN.	QA ENG.	DRN.	QA MGR.	STEEL RECON IND. SDN. BHD.
APPD. 1	QA MGR.	APPD. 1	QA MGR.	PRODUCT 1
APPD. 2	FAC. MGR.	APPD. 2	FAC. MGR.	AS FIRE EXTINGUISHER
ISSUED	09 SEPT 2015	ISSUED	09 SEPT 2015	TITLE
DRW NO.	ASF11000	DRW NO.	ASF11000	ASSEMBLY 1.0KG BFI C/W VEHICLE BRACKET
PART NO.	FEX133-MS-010-BF	PART NO.	FEX133-MS-010-BF	

