

BFI ABE DCP Fire Extinguisher Range

# Dry Chemical Powder Ext Technical Information



The BFI Range of ABE DCP Portable Fire Extinguishers are versatile and easy to use. Ranging in size from 0.6kg to 9.0kg they are highly effective in domestic and industrial settings. The full BFI range are certified by SAI Global to AS1845.1 and come with mounting brackets or hooks for immediate installation.

### Features

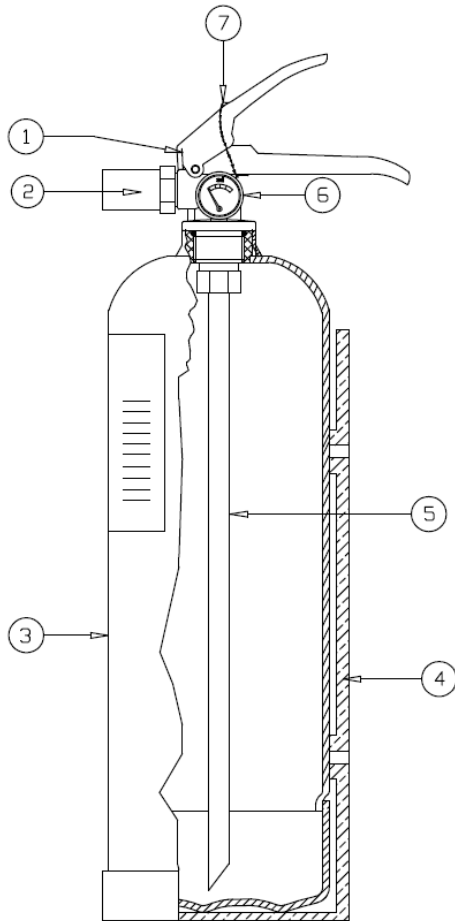
- Australian Standard Certification by SAI Global (5 Ticks)
- High fire ratings
- High quality - thick powder coating
- Mounting hooks or brackets
- \*Fire-year warranty
- Reliable after sales service



### Specifications

Fire Extinguisher - Dry Chemical Powder	BF06ABE
<b>Product</b>	
Code	BF06ABE
Capacity	0.6kg
Rating	1A:5B:E
Overall Weight	1.2kg
Cylinder Thickness	1.5mm
Cylinder Diameter	65.0mm
<b>Performance</b>	
Operating Pressure	-20°C to + 60°C
Test Pressure	2.5MPa (25 Bar)
Operating Pressure	1000 kpa
Minimum Discharge Rate	12 sec

\*Installation in accordance with AS2444 and Servicing in accordance with AS1851.1



Technical Specification			
Part No	BFO6ABE	Working Pressure	10bar (145psi)
Capacity	600g ± 5%	Min. Burst Pressure	55bar (797.5psi)
Overall Weight	1.35kg ± 5%	Min. Discharge Time	12 sec
Cylinder Thickness (cyl)	1.2mm	Fire Rating	1A, 5B
Volume	0.7L	Temperature Range	-20°C to + 60°C
Min. Tensile Strength	280N/mm (280mpa)	Powder Type	SRI HP ABE
Test Pressure	25bar (362.5psi) min 30s	Finishing	Red

Item	Part No	Description	Material	Qty
*	FEC079-PS-006-FM	Sticker ABE Class 0.6kg Fireman	Plastic	1
*	FEX144-80-ABC-BL	Fire Ext. Powder ABC 80 SRI HP ABE	-	-
1	FEC055-GM-M24-06	Valve M24x1.5	Chrome Forge Brass CZ122	1
2	FEC028-PS-006-FM	Nozzle Discharge Ø2.0 Orifice	Nylon	1
3	FEC004-MS-006-RD	Cylinder 600 Gram ABC	Cold Rolled Steel	1
4	FEX002-PS-TP9-RD	Vehicle Bracket 600gm	P.P Copolymer AV-161	1
5	FEC051-PS-010-XX	Dip Tube Hips 245.0mm - 1.0kg MS/EN	P.V.C	1
6	FEC166-010	Pressure Gauge 10 Bar	-	1

\* Not shown in drawing

The BFI Range of ABE DCP Portable Fire Extinguishers are versatile and easy to use. Ranging in size from 0.6kg to 9.0kg they are highly effective in domestic and industrial settings. The full BFI range are certified by SAI Global to AS1845.1 and come with mounting brackets or hooks for immediate installation.

### Features

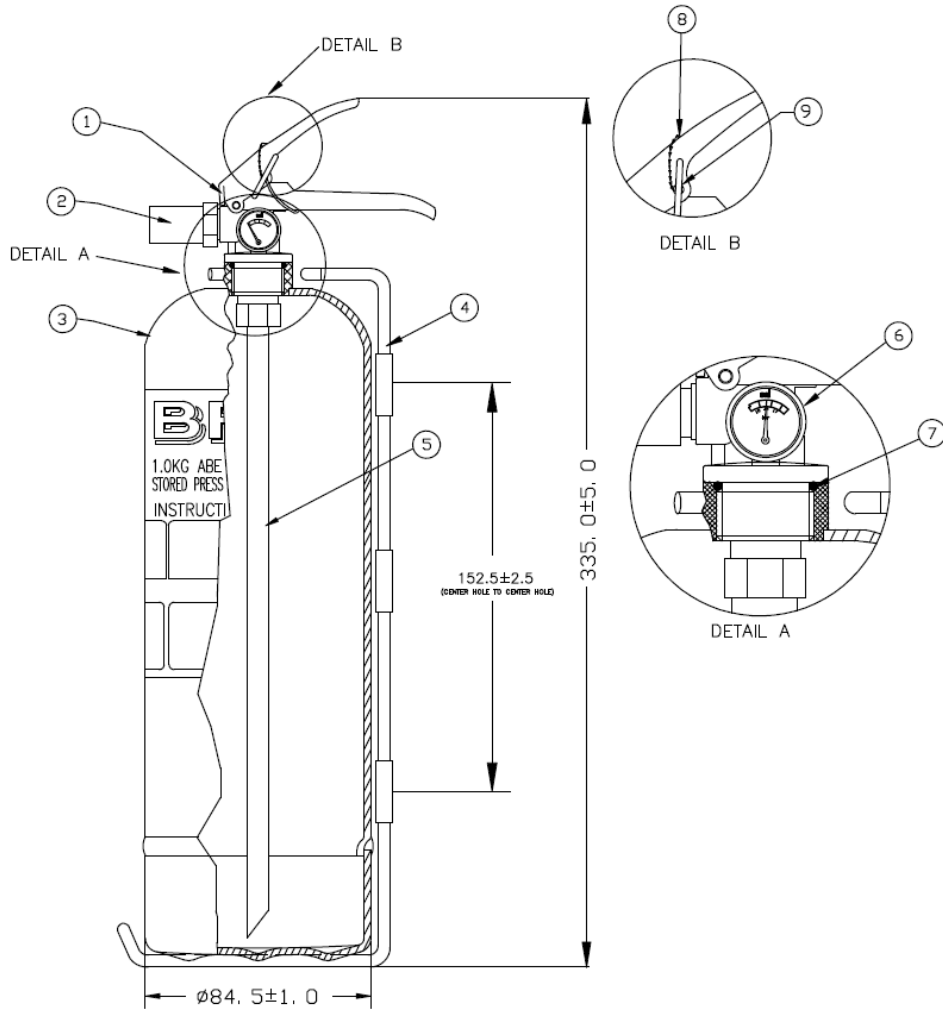
- Australian Standard Certification by SAI Global (5 Ticks)
- High fire ratings
- High quality - thick powder coating
- Mounting hooks or brackets
- \*Fire-year warranty
- Reliable after sales service



### Specifications

Fire Extinguisher - Dry Chemical Powder	BF10ABE
<b>Product</b>	
Code	BF10ABE
Capacity	1.0kg ± 5%
Rating	1A:20B:E
Overall Weight	1.8kg
Cylinder Thickness	1.0mm
Cylinder Diameter	84.5mm
<b>Performance</b>	
Operating Pressure	-20°C to + 60°C
Test Pressure	2.5MPa (25 Bar)
Operating Pressure	1000 kpa
Minimum Discharge Rate	12 sec

\*Installation in accordance with AS2444 and Servicing in accordance with AS1851.1



Technical Specification			
Part No	BF10ABE	Working Pressure	10bar (145psi)
Capacity	1.0kg ± 5%	Min. Burst Pressure	70bar (1015psi)
Overall Weight	1.8kg ± 5%	Min. Discharge Time	12.1 sec
Cylinder Thickness (cyl)	1.5mm - Top 1.8mm - Bottom	Fire Rating	1A, 20B
Volume	1.2L	Temperature Range	-20°C to + 60°C
Min. Tensile Strength	280N/mm (280mpa)	Powder Type	SRI HP ABE
Test Pressure	25bar (362.5psi) min 30s	Finishing	Red

	Part No	Description	Material	Qty
*	CTN107-PP-BF1-12	Box 12x1 380x350x340 C/NEST	150/m/m Baf	1
*	FEC079-PS-010-GN	Sticker ABE Class 1.0kg	Plastic-Green	1
*	FEX144-80-ABC-BL	Fire Ext Powder ABC 80 SRI HP ABE	-	-
1	FEC055-GM-M24	Valve M24x1, 5mm Red Handle	Brass	1
2	FEC028-PS-010-FM	Discharge Nozzle Ø3. 2 1.0kg Fireman	Nylon 6	1
3	FEC004-MS-010-RD	Cylinder 1.0kg	Cold Rolled Steel	1
4	FEX002-MS-TP3-RD	Vehicle Bracket 1.0kg	Mild Steel - Red	1
5	FEC051-PS-010	Dip Tube Hips 245.0mm 1.0kg MS/EN	Hips	1
6	FEC166-010	Pressure Gauge 10 Bar	-	1
7	ORS212-RB-BK	M24-O Ring 212 (I.D 21, 82x3.53)	Nitrile 70	1
8	FEC117-PS	Cable Tie 5" x 1/16"	Nylon	1
9	FEC116-SS	Safety Pin	Stainless Steel	1

\* Not shown in drawing

The BFI Range of ABE DCP Portable Fire Extinguishers are versatile and easy to use. Ranging in size from 0.6kg to 9.0kg they are highly effective in domestic and industrial settings. The full BFI range are certified by SAI Global to AS1845.1 and come with mounting brackets or hooks for immediate installation.

### Features

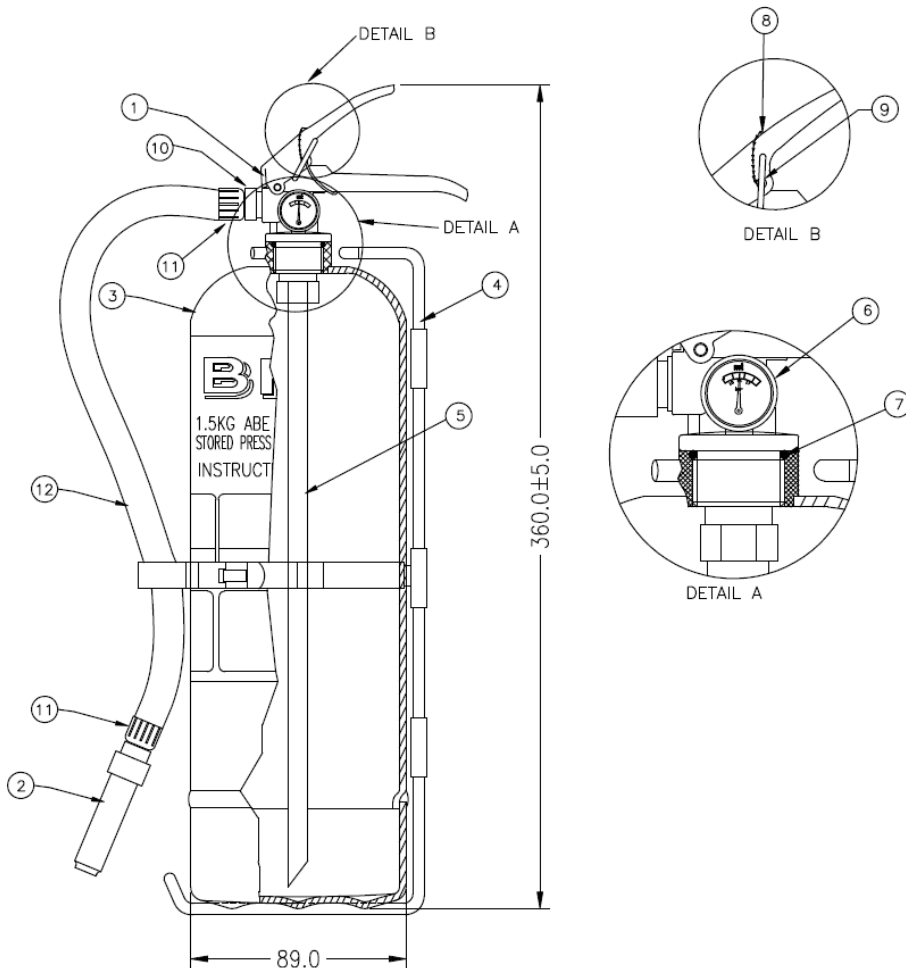
- Australian Standard Certification by SAI Global (5 Ticks)
- High fire ratings
- High quality - thick powder coating
- Mounting hooks or brackets
- \*Fire-year warranty
- Reliable after sales service



### Specifications

Fire Extinguisher - Dry Chemical Powder	BF15ABE
<b>Product</b>	
Code	BF15ABE
Capacity	1.5kg
Rating	2A:20B:E
Overall Weight	2.5kg
Cylinder Thickness	1.5mm
Cylinder Diameter	89mm
<b>Performance</b>	
Operating Pressure	-20°C to + 60°C
Test Pressure	2.5MPa (25 Bar)
Operating Pressure	1200 kpa
Minimum Discharge Rate	9 sec

\*Installation in accordance with AS2444 and Servicing in accordance with AS1851.1



Technical Specification			
Part No	BF15ABE	Working Pressure	12bar (145psi)
Capacity	1.5kg ± 3%	Min. Burst Pressure	70bar (1015psi)
Overall Weight	2.7kg ± 3%	Min. Discharge Time	9 sec
Cylinder Thickness (cyl)	1.5mm - Top 1.8mm - Bottom	Fire Rating	3A, 20B
Volume	1.6L	Temperature Range	-20°C to + 60°C
Min. Tensile Strength	280N/mm (280mpa)	Powder Type	SRI HP ABE
Test Pressure	25bar (362.5psi) min 30s	Finishing	Red

	Part No	Description	Material	Qty
*	FEC079-PS-010-GN	Sticker ABE Class 1.5kg	Plastic	1
*	FEX144-80-ABC-BL	Fire Ext Powder ABC 80 SRI HP ABE	-	-
1	FEC055-GM-M24	Valve M24x1, Red Handle	Brass	1
2	FEC028-PS-O20-BK	2.0kg Disc Nozzle Fireman ORF Ø4.0	Nylon 6 - Black	1
3	FEC005-MS-015-FM	1.5kg Cylinder	Cold Rolled Steel	1
4	FEX002-MS-T11-RD	1.5kg Vehicle Bracket	Mild Steel - Red	1
5	FEC051-PS-O20	1.5kg Dip Tube Length 270.0mm	Hips	1
6	FEC166-012	Pressure Gauge 12 Bar	-	1
7				
8				
9				
10	FEC054-MS			
11	FEC054-MS-M12	Adaptor M24	Mild Steel	1
12	FEC027-LA	Clip LA	Aluminium	2
13	FEC007-PS-015-FM	Discharge Hose 1.5kg Length 230.0mm	PVC	1

The BFI Range of ABE DCP Portable Fire Extinguishers are versatile and easy to use. Ranging in size from 0.6kg to 9.0kg they are highly effective in domestic and industrial settings. The full BFI range are certified by SAI Global to AS1845.1 and come with mounting brackets or hooks for immediate installation.

### Features

- Australian Standard Certification by SAI Global (5 Ticks)
- High fire ratings
- High quality - thick powder coating
- Mounting hooks or brackets
- \*Fire-year warranty
- Reliable after sales service



**Australian Standard**

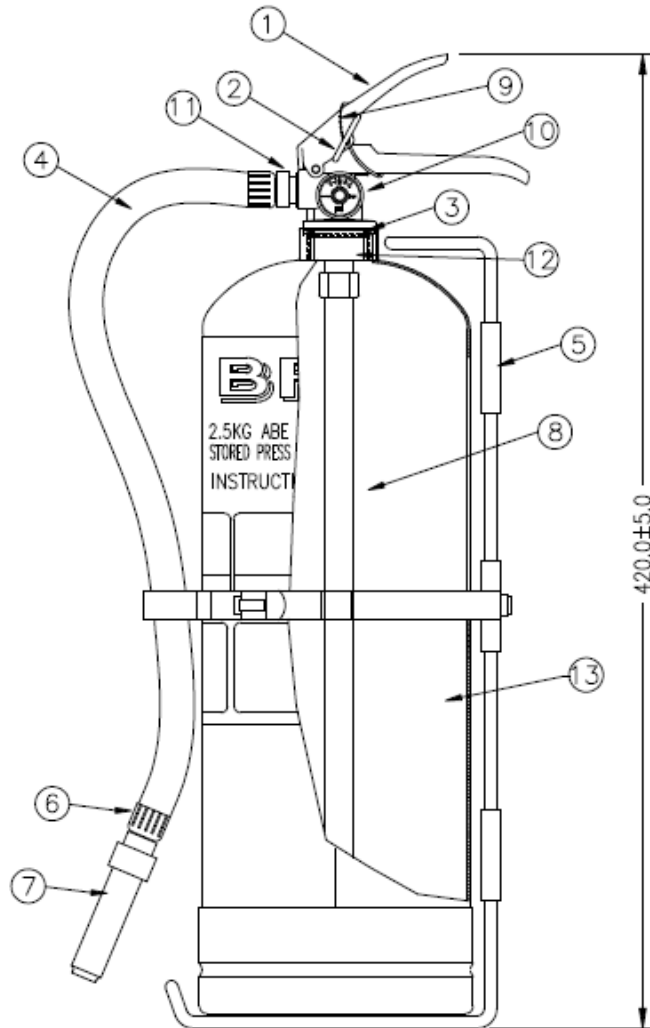
AS 1221  
LIC SMK1355

### Specifications

Fire Extinguisher - Dry Chemical Powder	BF25ABE
<b>Product</b>	
Code	BF25ABE
Capacity	2.5kg
Rating	3A:40B:E
Overall Weight	4.7kg
Cylinder Thickness	1.5mm
Cylinder Diameter	118.5mm
<b>Performance</b>	
Operating Pressure	-20°C to + 60°C
Test Pressure	2.5MPa (25 Bar)
Operating Pressure	1000 kpa
Minimum Discharge Rate	13 sec

\*Installation in accordance with AS2444 and Servicing in accordance with AS1851.1





\* Not shown in drawing

Technical Specification			
Part No	BF25ABE	Working Pressure	10bar (145psi)
Capacity	2.5kg ± 3%	Min. Burst Pressure	65bar (942.5psi)
Overall Weight	4.7kg ± 3%	Min. Discharge Time	13 sec
Cylinder Diameter	Ø118.5 ±1.0	Fire Rating	3A, 40B
Overall Height	420.0 ± 5.0	Material Thickness	1.2mm
Volume	3.0L	Temperature Range	-20°C to + 60°C
Min. Tensile Strength	280N/mm (280mpa)	Powder Type	SRI HP ABE
Test Pressure	25bar (362.5psi) min 30s	Finishing	Red

	Part No	Description	Material	Qty
*	FEC079-PS-O20-GN	2.0/2.5 5 kg sticker ABE Class	Plastic	1
*	FEX144-80-ABE-BL	Fire Ext. Powder ABC 80 SRI HP ABE	-	1
1	FEC053-GM-M30-SS	Valve M30 x 1.5 - SS Handle	Brass	1
2	FEC116-SS	Safety Pin	Stainless Steel	1
3	ORS214-RB-BK	O Ring 214	Nitrile 70	1
4	FEC007-PS-O20-AS	Disch. Hose 2/2.5kg as length 280.0mm	NRG 8045/YARN 3000D	1
5	FEX002-MS-TP7-RD	Vehicle Bracket 2.0 & 2.5kg AS	Mild Steel	1
6	FEC027-LA	Clip	Aluminium	2
7	FEC028-PS-O20-BK	Discharge Nozzle 2.5kg as ORF Ø4.0	Nylon 6 - Black	1
8	FEC052-PS-O20-AS	Dip Tube 2.0/2.5kg - length 292.0mm	PVC	1
9	FEC117-PS	Cable Tie 5" x 1/16" (8.2kg)	Nylon	1
10	FEC166-O10	Pressure Gauge 10 Bar	-	1
11	FEC054-MS	Adaptor	Mild Steel	1
12	FEC093-MS-M30	Neck Ring M30 x 1.5mm	Mild Steel	1
13	FEC005-MS-O20-FM	Cylinder 2/2.5kg AS	Cold Rolled Steel 1.2mm	1

The BFI Range of ABE DCP Portable Fire Extinguishers are versatile and easy to use. Ranging in size from 0.6kg to 9.0kg they are highly effective in domestic and industrial settings. The full BFI range are certified by SAI Global to AS1845.1 and come with mounting brackets or hooks for immediate installation.

### Features

- Australian Standard Certification by SAI Global (5 Ticks)
- High fire ratings
- High quality - thick powder coating
- Mounting hooks or brackets
- \*Fire-year warranty
- Reliable after sales service



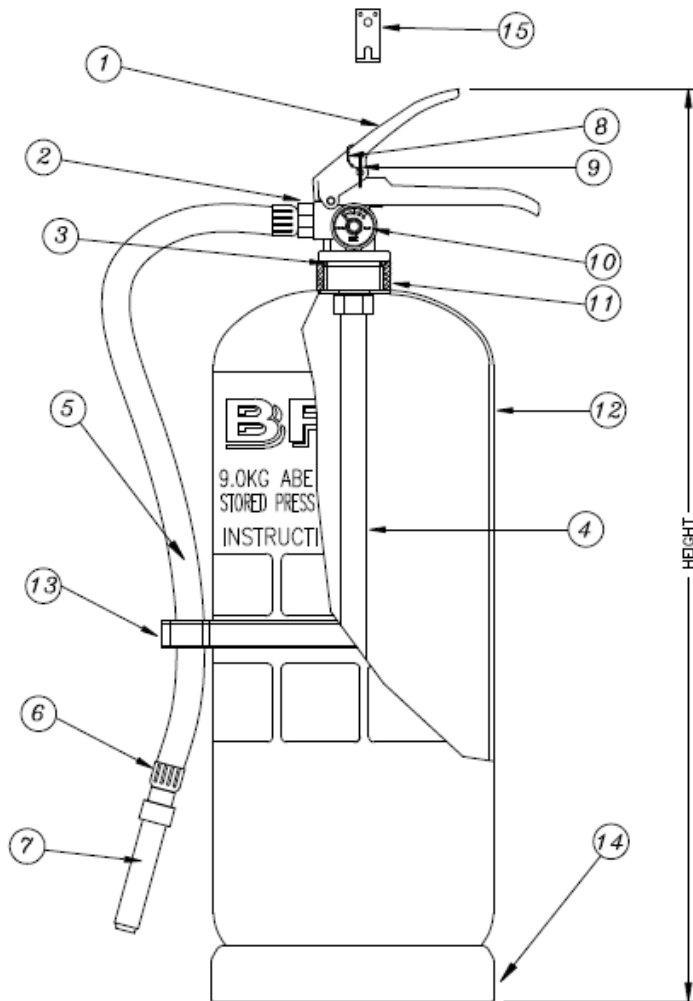
**Australian Standard**

AS 1221  
LIC SMK1355

### Specifications

Fire Extinguisher - Dry Chemical Powder	BF45ABE
<b>Product</b>	
Code	BF45ABE
Capacity	4.5kg
Rating	3A:60B:E
Overall Weight	7.6kg
Cylinder Thickness	1.5mm
Cylinder Diameter	157.0mm
<b>Performance</b>	
Operating Pressure	-20°C to + 60°C
Test Pressure	2.5MPa (25 Bar)
Operating Pressure	1400 kpa
Minimum Discharge Rate	19 sec

\*Installation in accordance with AS2444 and Servicing in accordance with AS1851.1



Technical Specification			
Part No	BF45ABE	Working Pressure	14bar (203psi)
Capacity	4.5kg ± 2%	Min. Burst Pressure	65bar (942.5psi)
Overall Weight	7.6kg ± 3%	Min. Discharge Time	19 sec
Cylinder Diameter	Ø157.0mm	Fire Rating	3A, 60B
Overall Height	480.00 mm	Material Thickness	1.5mm
Volume	6.5L	Temperature Range	-20°C to + 60°C
Min. Tensile Strength	280N/mm (280mpa)	Powder Type	SRI HP ABE
Test Pressure	25bar (362.5psi) min 30s	Finishing	Red

	Part No	Description	Material	Qty
*	FEX144-80-ABE-BL	Fire Ext. Powder ABC 80 SRI HP ABE	-	-
1	FEC053-GM-M30-SS	M30x1.5 Valve - SS Handle	Chrome Forge Brass	1
2	FEC054-MS	Adaptor	Mild Steel	1
3	ORS214-RB-BK	O Ring 214	Nitrile 70	1
4	FEC052-PS-O45-AS	4.5kg As Dip Tube Length 363mm	Hips	1
5	FEC007-PS-O60-BK	4.5kg Disch. Hose Length 334mm	NRG 8045/Yarn 3000D	1
6	FEC027-MS	Clip	Mild Steel	2
7	FEC028-PS-O45-GY	4.5kg Disch. Nozzle ORFØ3.8	Nylon 6 - Grey	1
8	FEC117-PS	Cable Tie 5" x 1/16" (8.2kg)	Nylon	1
9	FEC116-SS	Safety Pin	Stainless Steel	1
10	FEC166-014	Pressure Gauge 14bar	-	1
11	FEC093-MS-M30	M30 Neck Ring	Mild Steel	1
12	FEC004-MS-O40-NA	4.0kg Cylinder	Cold Rolled Steel 1.5mm	1
13	FEC017-PS-O45-RD	4.5kg Cylinder Belt	P.P AS 164	1
14	FEC096-MS	Base Ring	Mild Steel	1

\* Not shown in drawing

The BFI Range of ABE DCP Portable Fire Extinguishers are versatile and easy to use. Ranging in size from 0.6kg to 9.0kg they are highly effective in domestic and industrial settings. The full BFI range are certified by SAI Global to AS1845.1 and come with mounting brackets or hooks for immediate installation.

### Features

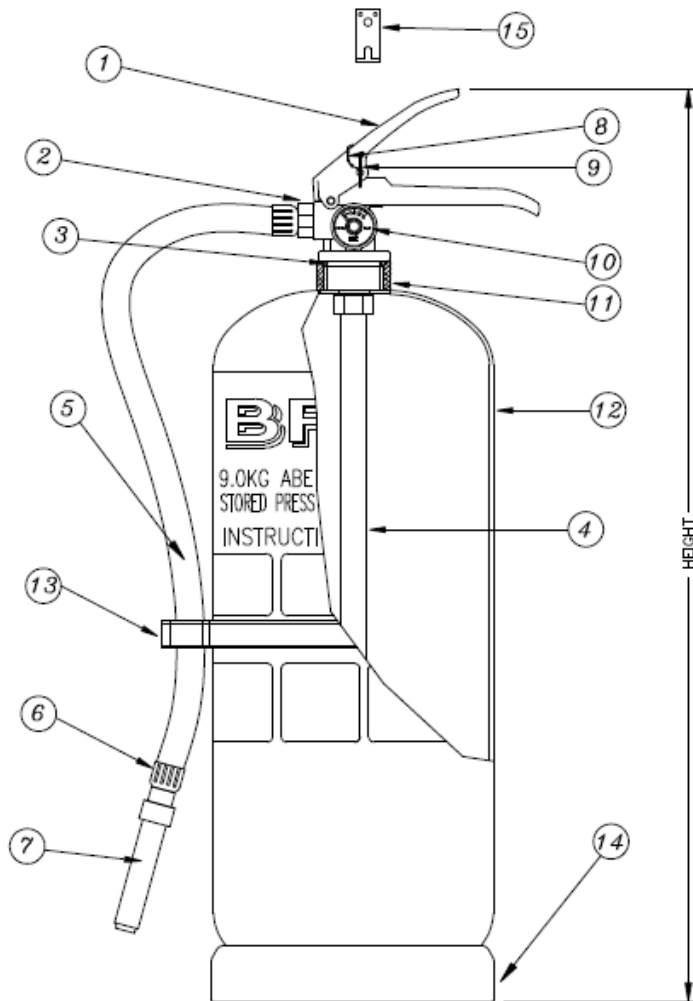
- Australian Standard Certification by SAI Global (5 Ticks)
- High fire ratings
- High quality - thick powder coating
- Mounting hooks or brackets
- \*Fire-year warranty
- Reliable after sales service



### Specifications

Fire Extinguisher - Dry Chemical Powder	BF90ABE
<b>Product</b>	
Code	BF90ABE
Capacity	9.0kg
Rating	6A:80B:E
Overall Weight	12.8kg
Cylinder Thickness	1.6mm
Cylinder Diameter	176.0mm
<b>Performance</b>	
Operating Pressure	-20°C to + 60°C
Test Pressure	2.5MPa (25 Bar)
Operating Pressure	1400 kpa
Minimum Discharge Rate	20 sec

\*Installation in accordance with AS2444 and Servicing in accordance with AS1851.1



Technical Specification			
Part No	BF90ABE	Working Pressure	14bar (203psi)
Capacity	9kg ± 2%	Min. Burst Pressure	65bar (942.5psi)
Overall Weight	12.8kg ± 3%	Min. Discharge Time	20.7 sec
Cylinder Diameter	Ø176.0mm	Fire Rating	6A, 80B
Overall Height	560.00 mm	Material Thickness	1.6mm
Volume	9.5L	Temperature Range	-20°C to + 60°C
Min. Tensile Strength	280N/mm (280mpa)	Powder Type	SRI HP ABE
Test Pressure	25bar (362.5psi) min 30s	Finishing	Red

	Part No	Description	Material	Qty
*	FEX144-80-ABE-BL	Fire Ext. Powder ABC 80 SRI HP ABE	-	-
1	FEC053-GM-M30-SS	M30x1.5 Valve - SS Handle	Chrome Forge Brass	1
2	FEC054-MS	Adaptor	Mild Steel	1
3	ORS214-RB-BK	O Ring 214	Nitrile 70	1
4	FEC052-PS-O45-AS	4.5kg As Dip Tube Length 363mm	Hips	1
5	FEC007-PS-O60-BK	4.5kg Disch. Hose Length 334mm	NRG 8045/Yarn 3000D	1
6	FEC027-MS	Clip	Mild Steel	2
7	FEC028-PS-O45-GY	4.5kg Disch. Nozzle ORFØ3.8	Nylon 6 - Grey	1
8	FEC117-PS	Cable Tie 5" x 1/16" (8.2kg)	Nylon	1
9	FEC116-SS	Safety Pin	Stainless Steel	1
10	FEC166-014	Pressure Gauge 14bar	-	1
11	FEC093-MS-M30	M30 Neck Ring	Mild Steel	1
12	FEC004-MS-O40-NA	4.0kg Cylinder	Cold Rolled Steel 1.5mm	1
13	FEC017-PS-O45-RD	4.5kg Cylinder Belt	P.P AS 164	1
14	FEC096-MS	Base Ring	Mild Steel	1

\* Not shown in drawing

The BFI-HP Range of ABE DCP Portable Fire Extinguishers are premium products at competitive prices. The 80B rated 4.5kg abd 9.0kg extinguishers have been specifically designed for mining and heavy industry settings. They carry Mines Compliance and ActivFire Registration and are certified by SAI Global to AS1845.1. They each come with a mounting hook for immediate installation.

### Dry Chemical Extinguisher Features

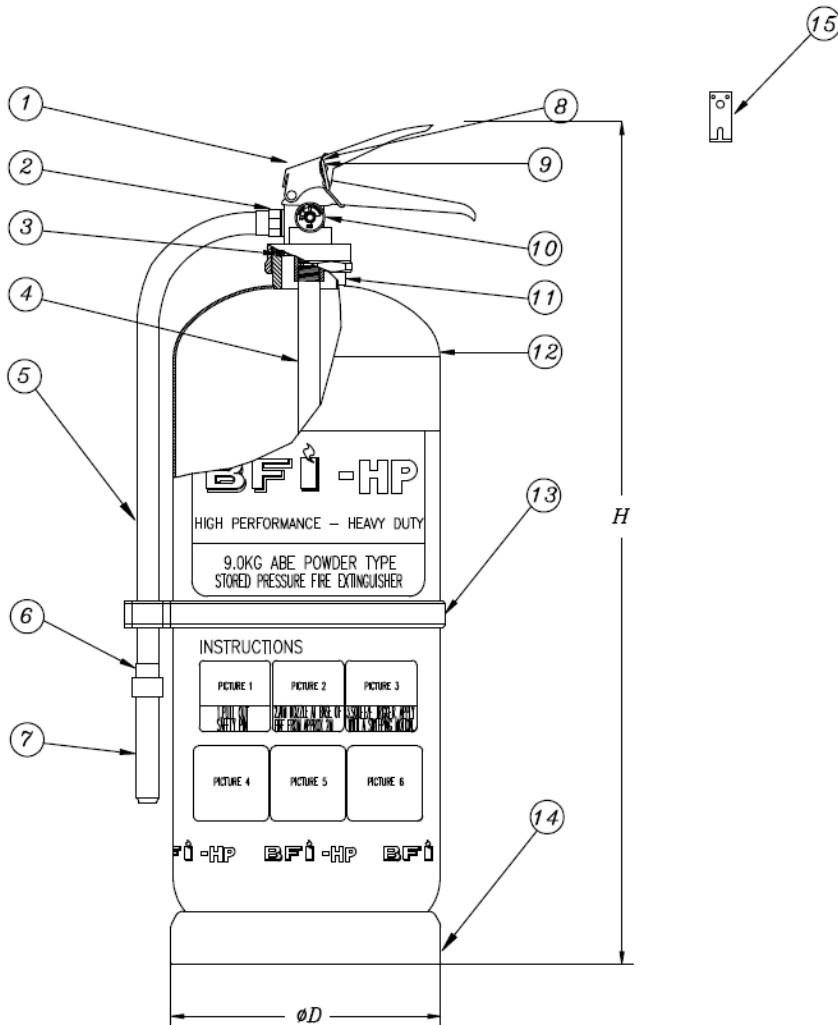
- Australian Standard Certification by SAI Global (5 Ticks)
- Specifically designed to meet Mining and Heavy Industry settings
- High Performance - 80B Rating
- Mines Compliance and ActivFire Registration
- High quality - thick powder coating
- Mounting hook or Bracket
- \*Five-year manufacturers warranty

### Specifications



Fire Extinguisher - Dry Chemical Powder	HP45ABE
<b>Product</b>	
Code	HP45ABE
Capacity	4.5g
Rating	4A:80B:E
Overall Weight	7.6kg
Cylinder Thickness	1.5mm
Cylinder Diameter	157.0mm
<b>Performance</b>	
Operating Pressure	-20°C to + 60°C
Test Pressure	2.5MPa (25 Bar)
Operating Pressure	1400 kpa
Minimum Discharge Rate	19 sec

\*Installation in accordance with AS2444 and Servicing in accordance with AS1851.1



Technical Specification			
Part No	HP45ABE	Working Pressure	14bar (203psi)
Capacity	4.5kg $\pm$ 2%	Min. Burst Pressure	65bar (942.5psi)
Overall Weight	7.6kg $\pm$ 2%	Min. Discharge Time	19 sec
Cylinder Diameter	$\phi$ 157.0mm	Fire Rating	4A, 80B
Overall Height	490.00 mm	Material Thickness	1.6mm
Volume	6.5L	Temperature Range	-20°C to + 60°C
Min. Tensile Strength	280N/mm (280mpa)	Powder Type	SRI HP ABE
Test Pressure	25bar (362.5psi) min 30s	Finishing	Red

	Part No	Description	Material	Qty
*	FEC079-PS-045-GN	Sticker Green ABE Class 4.5kg AS	Plastic	1
*	FEX144-80-ABC-BL	Fire EXT Powder ABC 80 SRI HP	-	-
*	FEC073-PP-045	Carton Box - 180x200x500 4.5kg AS	175/175 BF Double Wall	1
1	FEC055-GM-M45	Valve M45x1.5 Stainless Steel Handle	Brass	1
2	FEC054-BR	Adaptor	Brass	1
3	ORS219-RB-BK	M45-O Ring 219 (I.D 32.9 x 3.53)	Nitrile 70	1
4	FEC052-PS-045-AS	Dip Tube Hips 363.0mm 4.5kg AS	Hips	1
5	FEC007-PS-060-AS	Discharge hose length 334.0mm 4.5kg	NCT 8046/Yarn 2000D	1
6	FEC027-MS	Clip	Galv. Mild Steel	2
7	FEC028-PS-045-GY	Nozzle Discharge Orifice $\phi$ 6.5 4.5kg AS	Nylon 6 - Grey	1
8	FEC117-PS	Cable Tie 5" x 1/16" (8.2kg)	Nylon	1
9	FEC116-SS	Safety Pin	Stainless Steel	1
10	FEC166-014	Pressure Gauge 14Bar	-	1
11	FEC093-MS-M45	M45 Neck Ring	Mild Steel	1
12	FEC005-MS-045-RD	Cylinder 4.5kg AS	Cold Rolled Steel 1.5mm	1
13	FEC017-PS-045-RD	4.5kg Cylinder Belt	P.P as 164	1
14	FEC096-MS	Base Ring	Mild Steel	1
15	FEX002-MS-T12-ZP	Wall Bracket 4.0/4.5/6.0kg	Glav. Mild Steel	1

For more information call us on **1800 530 401** or visit [www.bulbeckfire.com.au](http://www.bulbeckfire.com.au)

\* Not shown in drawing

The BFI-HP Range of ABE DCP Portable Fire Extinguishers are premium products at competitive prices. The 80B rated 4.5kg abd 9.0kg extinguishers have been specifically designed for mining and heavy industry settings. They carry Mines Compliance and ActivFire Registration and are certified by SAI Global to AS1845.1. They each come with a mounting hook for immediate installation.

### Dry Chemical Extinguisher Features

- Australian Standard Certification by SAI Global (5 Ticks)
- Specifically designed to meet Mining and Heavy Industry settings
- High Performance - 80B Rating
- Mines Compliance and ActivFire Registration
- High quality - thick powder coating
- Mounting hook or Bracket
- \*Five-year manufacturers warranty

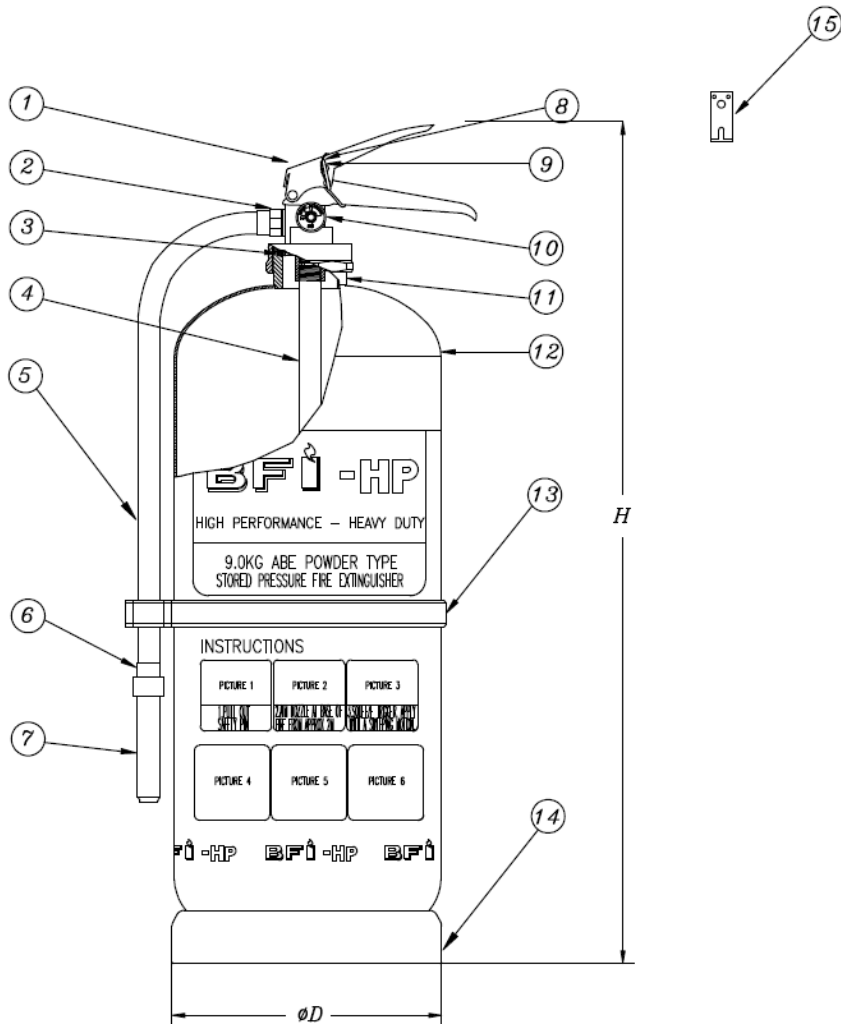
### Specifications



Fire Extinguisher - Dry Chemical Powder	HP90ABE
<b>Product</b>	
Code	HP90ABE
Capacity	9.0kg
Rating	6A:80B:E
Overall Weight	12.8kg
Cylinder Thickness	1.6mm
Cylinder Diameter	176.0mm
<b>Performance</b>	
Operating Pressure	-20°C to + 60°C
Test Pressure	2.5MPa (25 Bar)
Operating Pressure	1400 kpa
Minimum Discharge Rate	20.5 sec

\*Installation in accordance with AS2444 and Servicing in accordance with AS1851.1





Technical Specification			
Part No	HP90ABE	Working Pressure	14bar (203psi)
Capacity	9kg ± 2%	Min. Burst Pressure	65bar (942.5psi)
Overall Weight	12.8kg ± 2%	Min. Discharge Time	20.5 sec
Cylinder Diameter	Ø176.0mm	Fire Rating	6A, 80B
Overall Height	570.0 mm	Material Thickness	1.6mm
Volume	9.5L	Temperature Range	-20°C to + 60°C
Min. Tensile Strength	280N/mm (280mpa)	Powder Type	SRI HP ABE
Test Pressure	25bar (362.5psi) min 30s	Finishing	Red

	Part No	Description	Material	Qty
*	FEC079-PS-090-GN	Sticker Green ABE Class 9.0kg AS	Plastic	1
*	FEX144-80-ABC-BL	Fire EXT Powder ABC 80 SRI HP	-	-
*	FEC073-PP-090	Carton Box - 205x215x580 9.0kg AS	175/175 BF Double Wall	1
1	FEC055-GM-M45	Valve M45x1.5 Stainless Steel Handle	Brass	1
2	FEC054-BR	Adaptor	Brass	1
3	ORS219-RB-BK	M45-O Ring 219 (I.D 32.9 x 3.53)	Nitrile 70	1
4	FEC052-PS-090-AS	Dip Tube Hips 432.0mm 9.0kg AS	Hips	1
5	FEC007-PS-090-AS	Discharge hose length 382.0mm 9.0kg	NCT 8046/Yarn 2000D	1
6	FEC027-MS	Clip	Galv. Mild Steel	2
7	FEC028-PS-090-WH	Nozzle Discharge Orifice Ø6.5 9.0kg AS	Nylon 6 - White	1
8	FEC117-PS	Cable Tie 5" x 1/16" (8.2kg)	Nylon	1
9	FEC116-SS	Safety Pin	Stainless Steel	1
10	FEC166-014	Pressure Gauge 14Bar	-	1
11	FEC093-MS-M45	M45 Neck Ring	Mild Steel	1
12	FEC005-MS-090-RD	Cylinder 9.0kg AS	Cold Rolled Steel 1.6mm	1
13	FEC017-PS-090-RD	9.0kg Cylinder Belt	P.P as 164	1
14	FEC096-MS	Base Ring	Mild Steel	1
15	FEX002-MS-TP1-ZP	Wall Bracket 9.0kg	Glav. Mild Steel	1

\* Not shown in drawing



# Leaders in fire prevention and protection

One point of contact. Everything you need.

[www.bulbeckfire.com.au](http://www.bulbeckfire.com.au)

## OUR LOCATIONS

### SYDNEY

P: 02 89996010

### MELBOURNE

P: 03 9999 5715

### BRISBANE

P: 07 3140 8790

### PERTH

P: 08 6500 0613

### ADELAIDE

P: 08 7007 0537

### DARWIN

P: 08 799907830

### HEAD OFFICE - NEWCASTLE

4 Channel Road Mayfield West, NSW 2304 - PO Box 367 HRMC NSW 2310

P: 02 4927 6632 F: 02 4927 6641 E: [info@bulbeckfire.com.au](mailto:info@bulbeckfire.com.au)